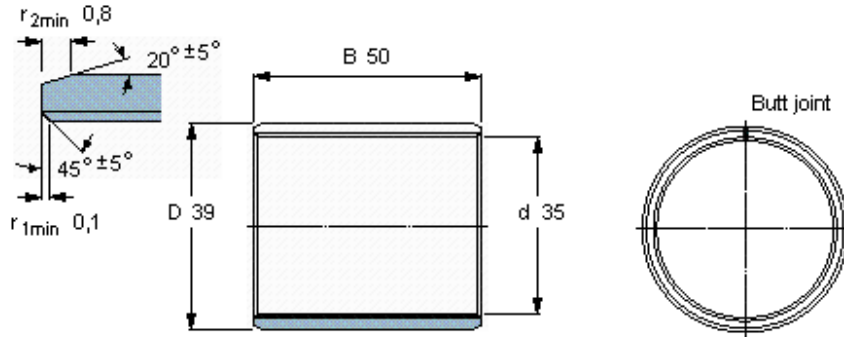


Composite dry sliding bushings, metric dimensions

Principal dimensions			Basic load ratings		Mass	Designation
d	D	B	dynamic C	static C0	kg	-
mm			kN			
<b>35</b>	39	50	137	430	0,087	PCM 353950 E



<b>Specific load factor</b>	K 80
<b>Material constant</b>	$K_M$ 480